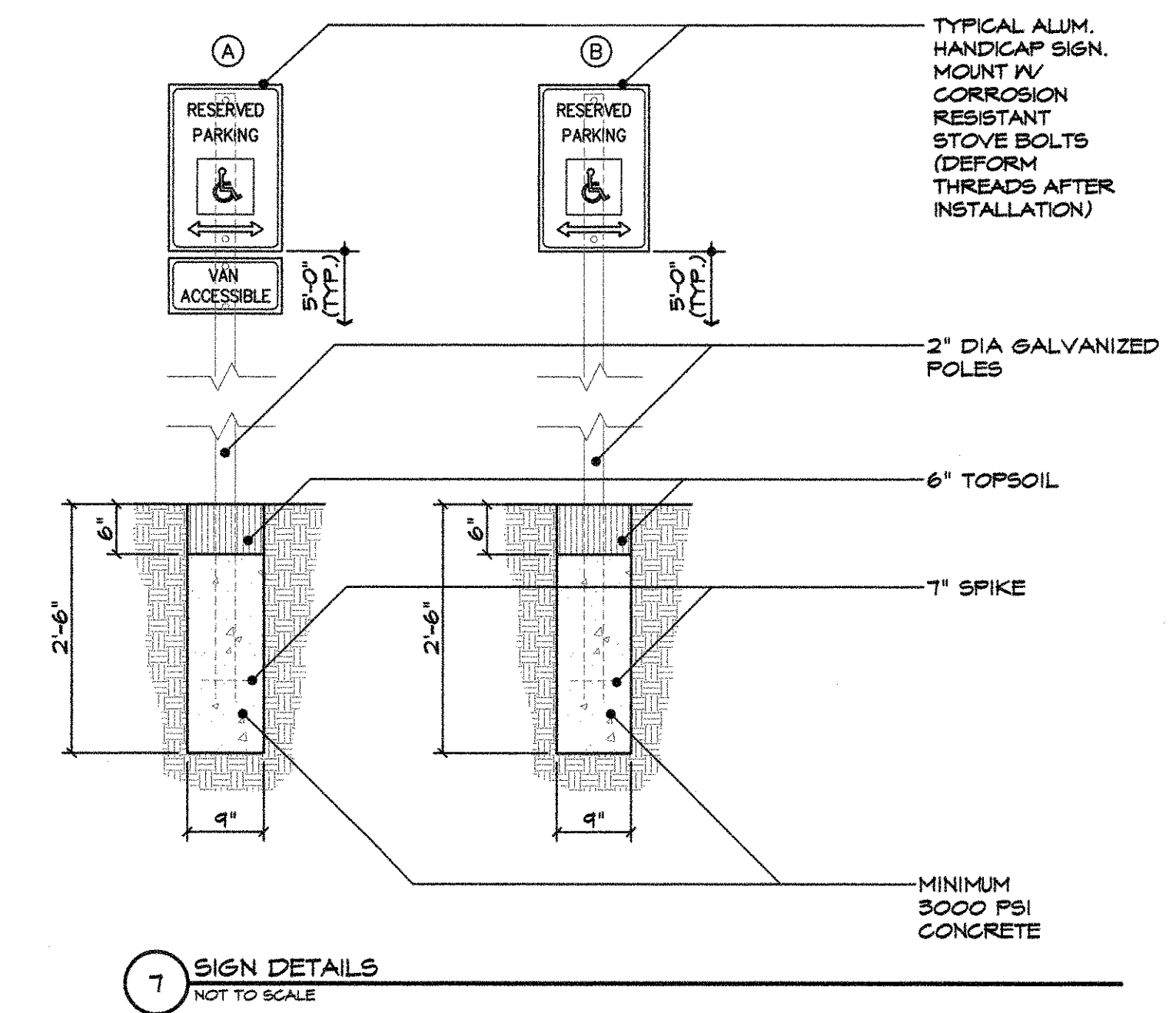
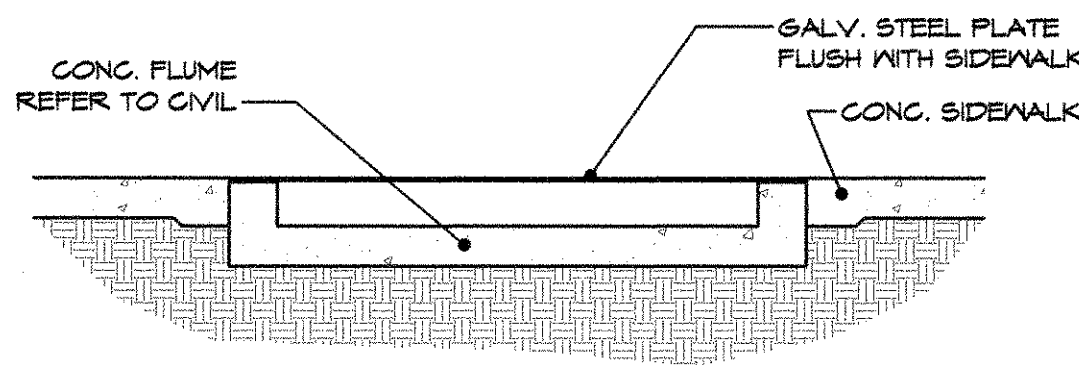


- LEGEND**
- EX. FH = EXISTING FIRE HYDRANT
 - L.S.B.O. = LANDSCAPING (BY OWNER)
 - [Hatched Box] = NEW SIDEWALK
 - [Dashed Box] = FIRE LANE



ISSUE DATE:
Dec 24, 2012

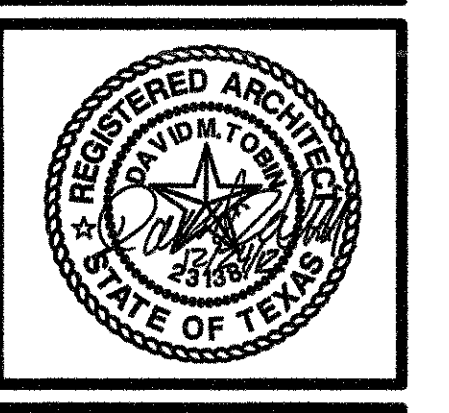
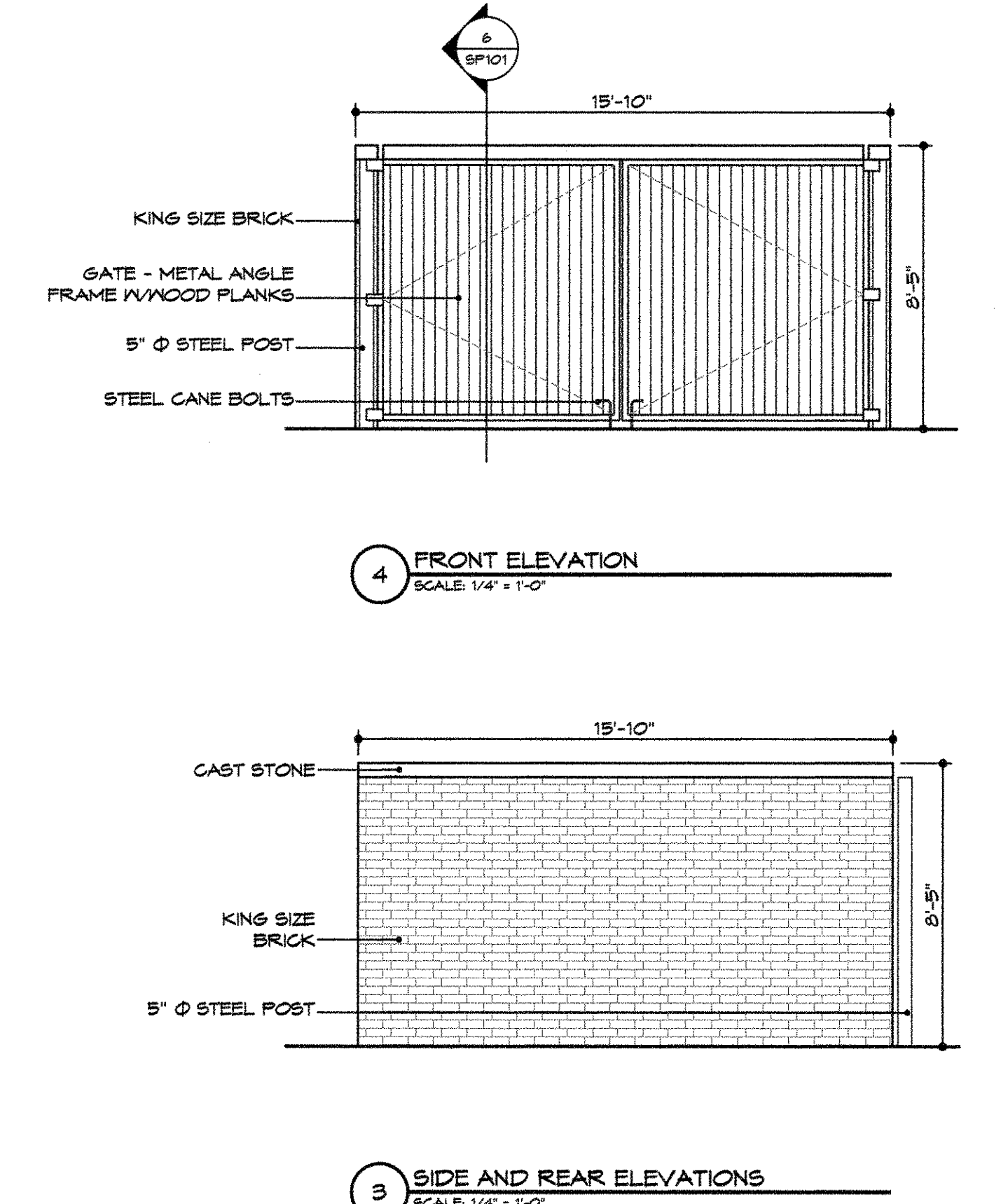
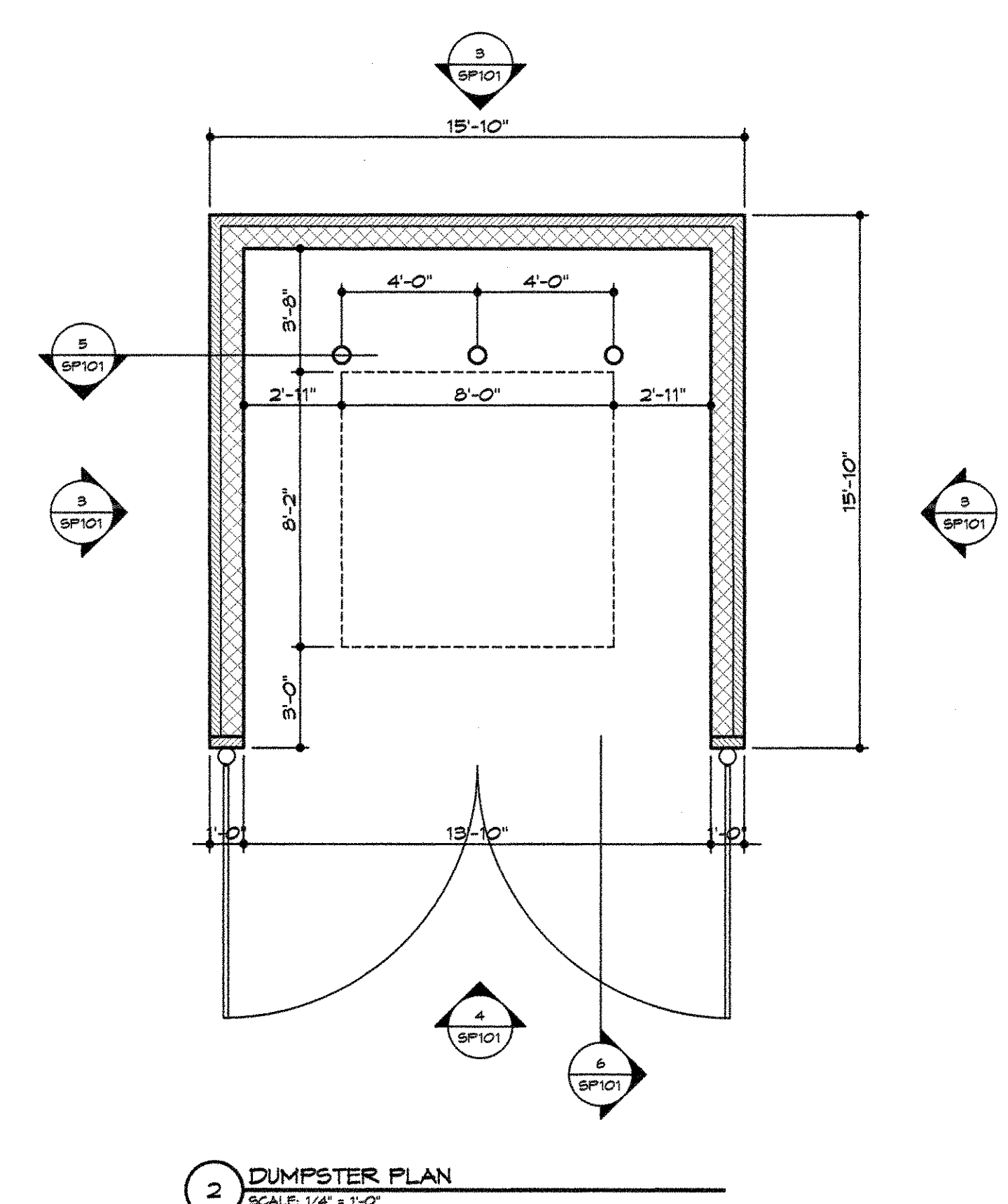
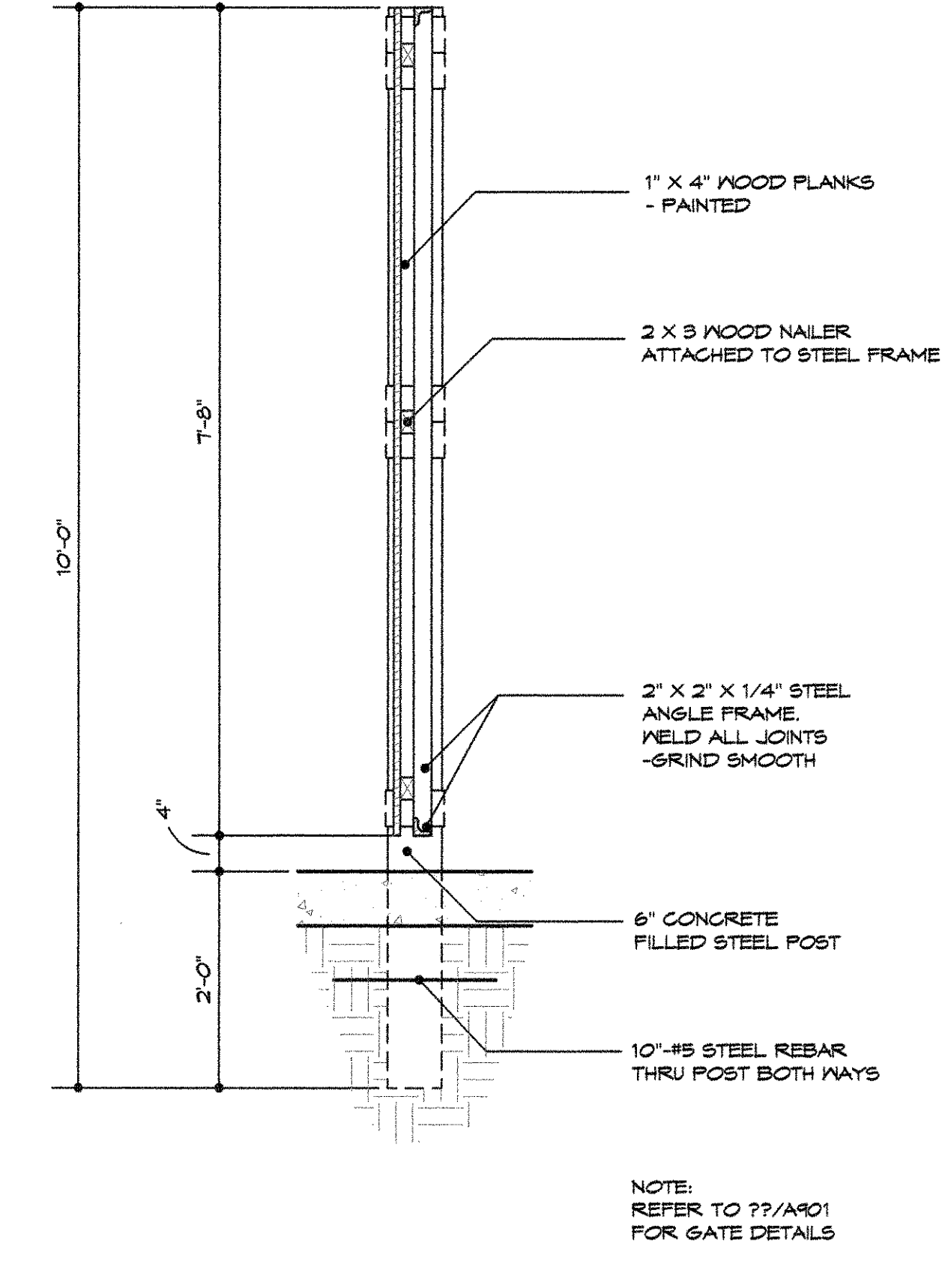
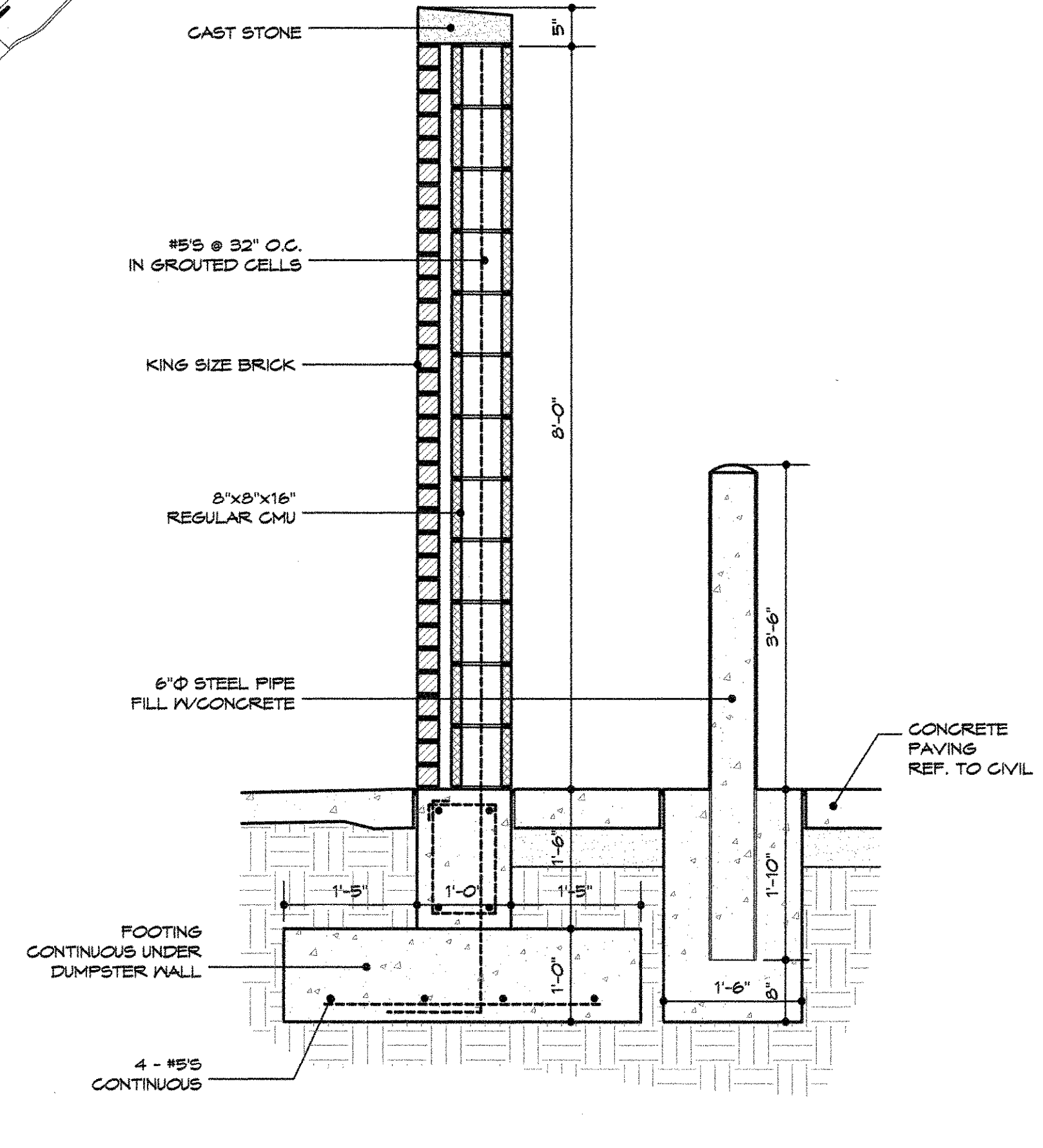
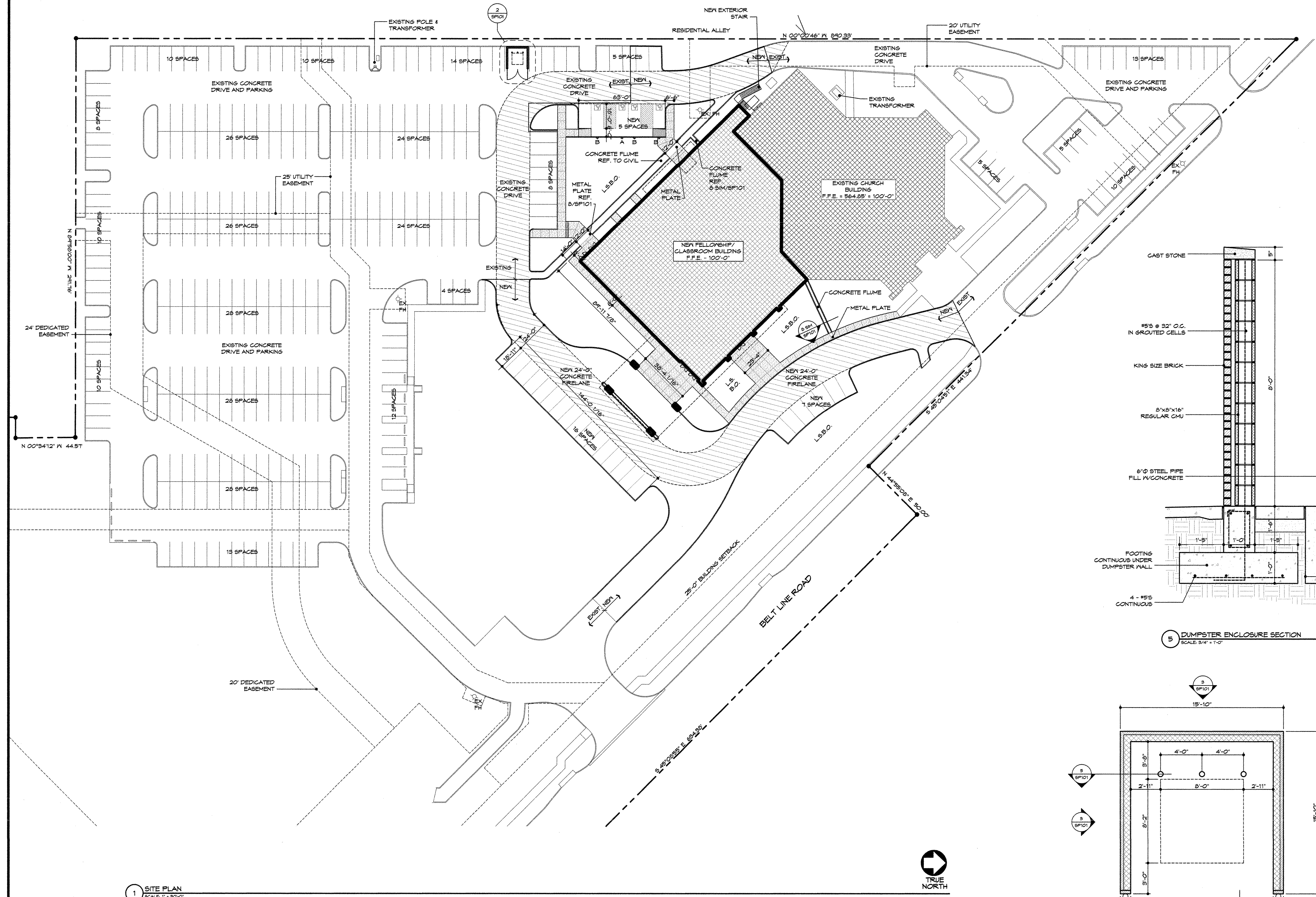
REVISIONS:

NORTH CITIES UPC EXPANSION

GARLAND, TEXAS

RON HOBBS ARCHITECTS

614 WEST MAIN STREET, SUITE 200 GARLAND, TEXAS 75040
 PHONE: 972-494-0174 www.ronhobbsarchitects.net FAX: 972-494-0722



JOB NUMBER
1107

SHEET NUMBER
SITE PLAN
SP101